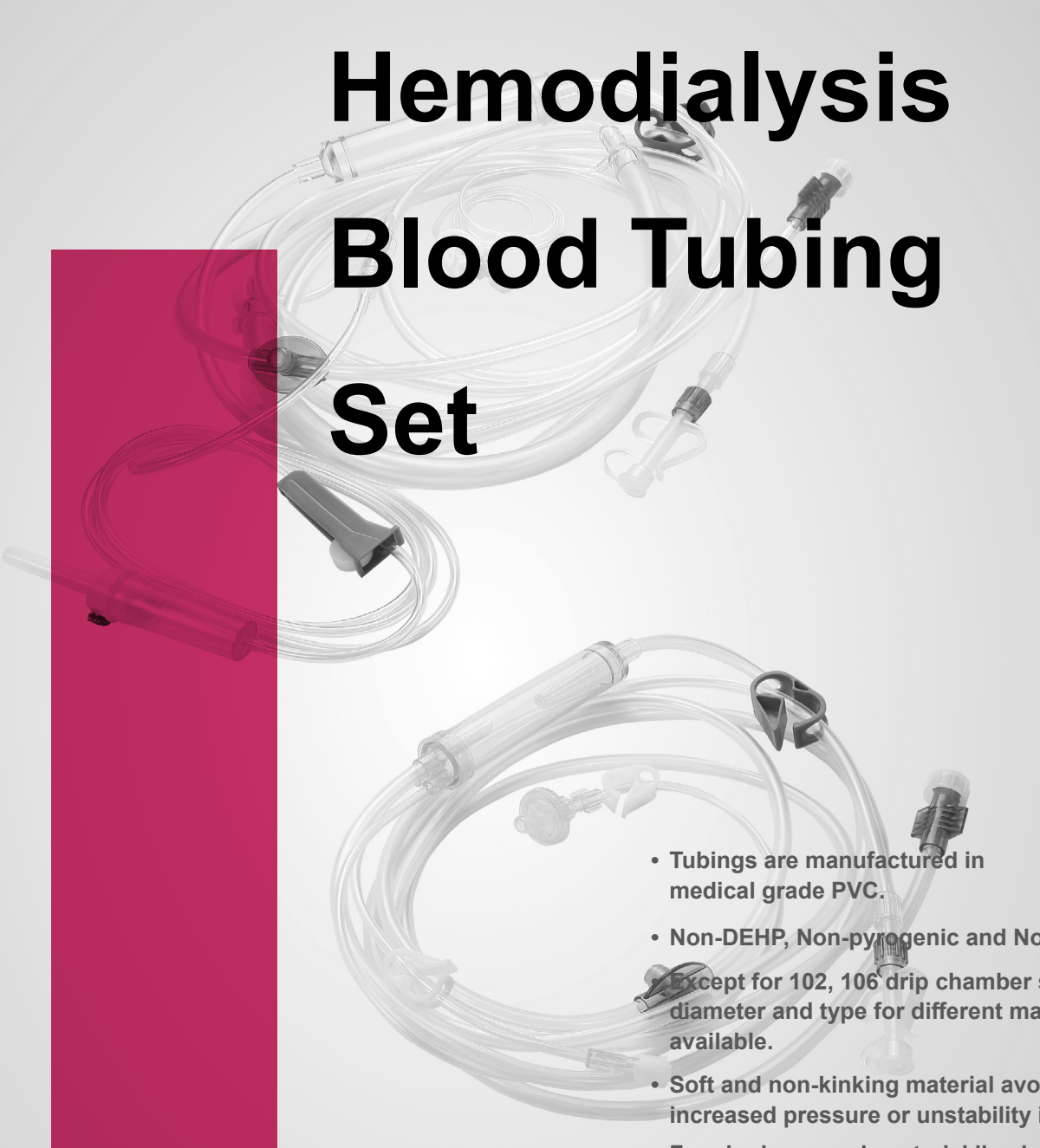


# Hemodialysis Blood Tubing Set



- Tubings are manufactured in medical grade PVC.
- Non-DEHP, Non-pyrogenic and Non-toxic.  
Except for 102, 106 drip chamber series, diameter and type for different machines is available.
- Soft and non-kinking material avoid increased pressure or unstability in circuit.
- For single use only, arterial line in red:venous line in blue; sterilized in EO gas.



## Table of Contents

6 - 10 102 Series

11 - 19 106 Series



## CATALOGUE NUMBER CODING

CATALOGUE NUMBER CODING				
BT-	106	G	A	D
Product	Drip Chamber Code	Pump Segment Code	Accessories Code	DEHP Free
Hemodialysis Blood Tubing Set	106 Type 102 Type	L with 9.8mm (OD) pump tubing, without priming set G with 9.8mm (OD) pump tubing, with IV SET S with 9.8mm (OD) pump tubing, with spike W with 12mm (OD) pump tubing, without priming set X with 12mm (OD) pump tubing, with IV SET Z with 12mm (OD) pump tubing, with spike	Blank without TP, without collection bag, blood pathway volume: 125ml +/-25 A with TP, without collection bag, blood pathway volume: 125ml +/-25 B with TP, with collection bag, blood pathway volume: 125ml +/-25 C without TP, with collection bag, blood pathway volume: 125ml +/-25 J without TP, without collection bag, blood pathway volume: 175ml +/-25 K with TP, without collection bag, blood pathway volume: 175ml +/-25 M with TP, with collection bag, blood pathway volume: 175ml +/-25 O without TP, with collection bag, blood pathway volume: 175ml +/-25	D
Catalogue Numbers Beginning with "BT-"=Bioteque				
	FA 204 C/FV 204 E	with 12mm (OD) pump tubing, with spike, with TP, with collection bag, with drip chamber in arterial bloodline		
	FA 304 C/FV 304 C	with 12mm (OD) pump tubing, with spike, with TP, without collection bag, with pump clamp		

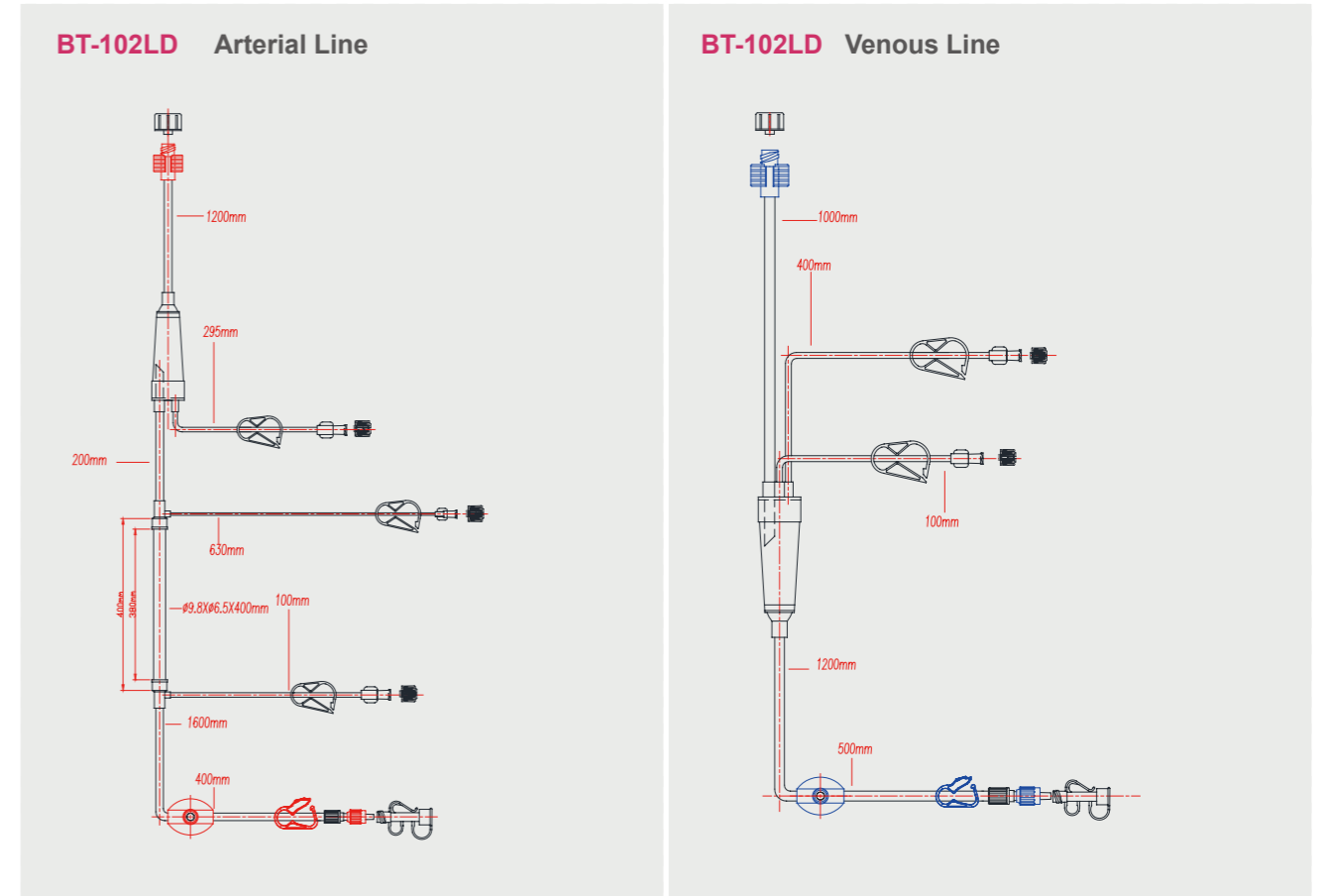
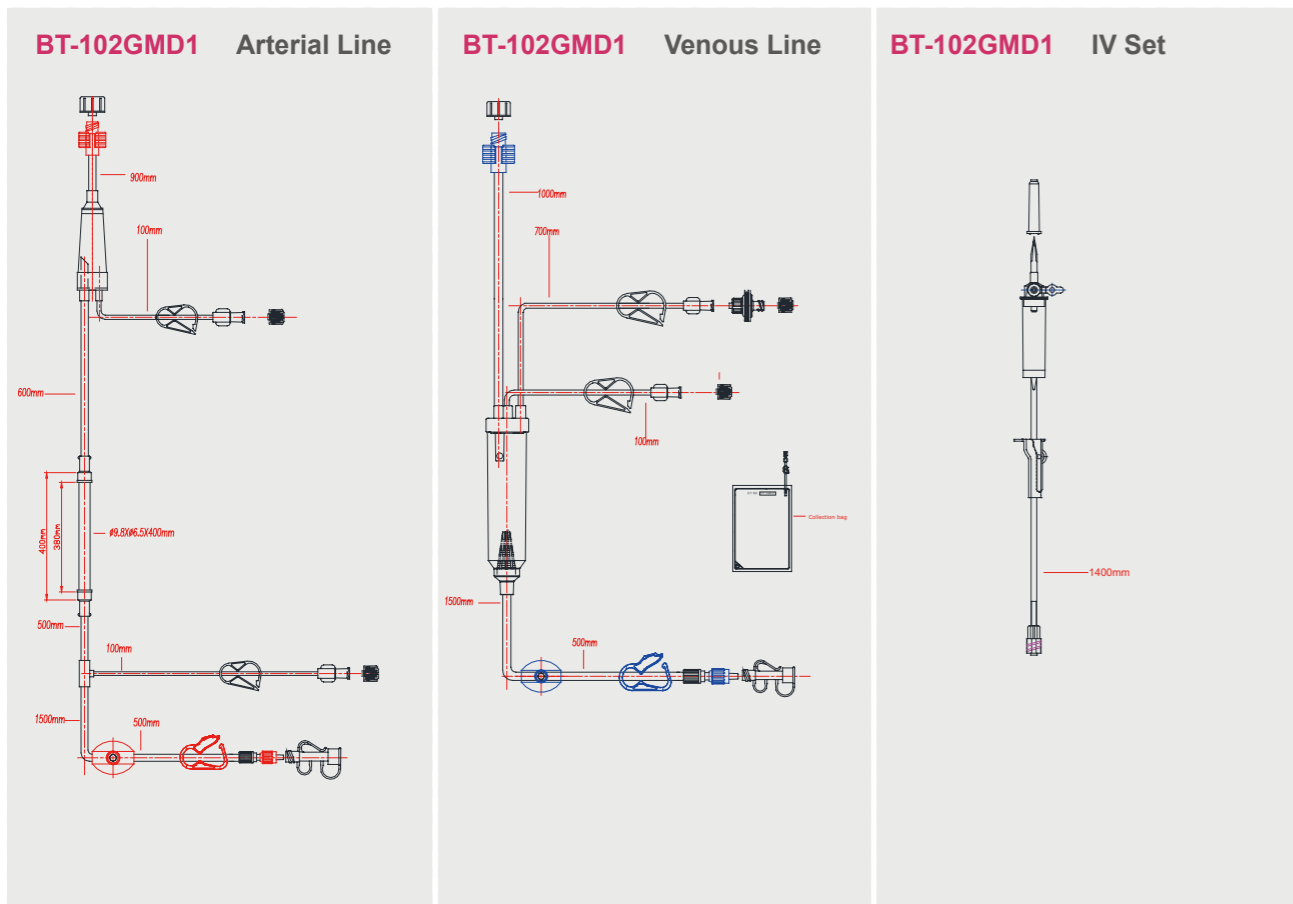
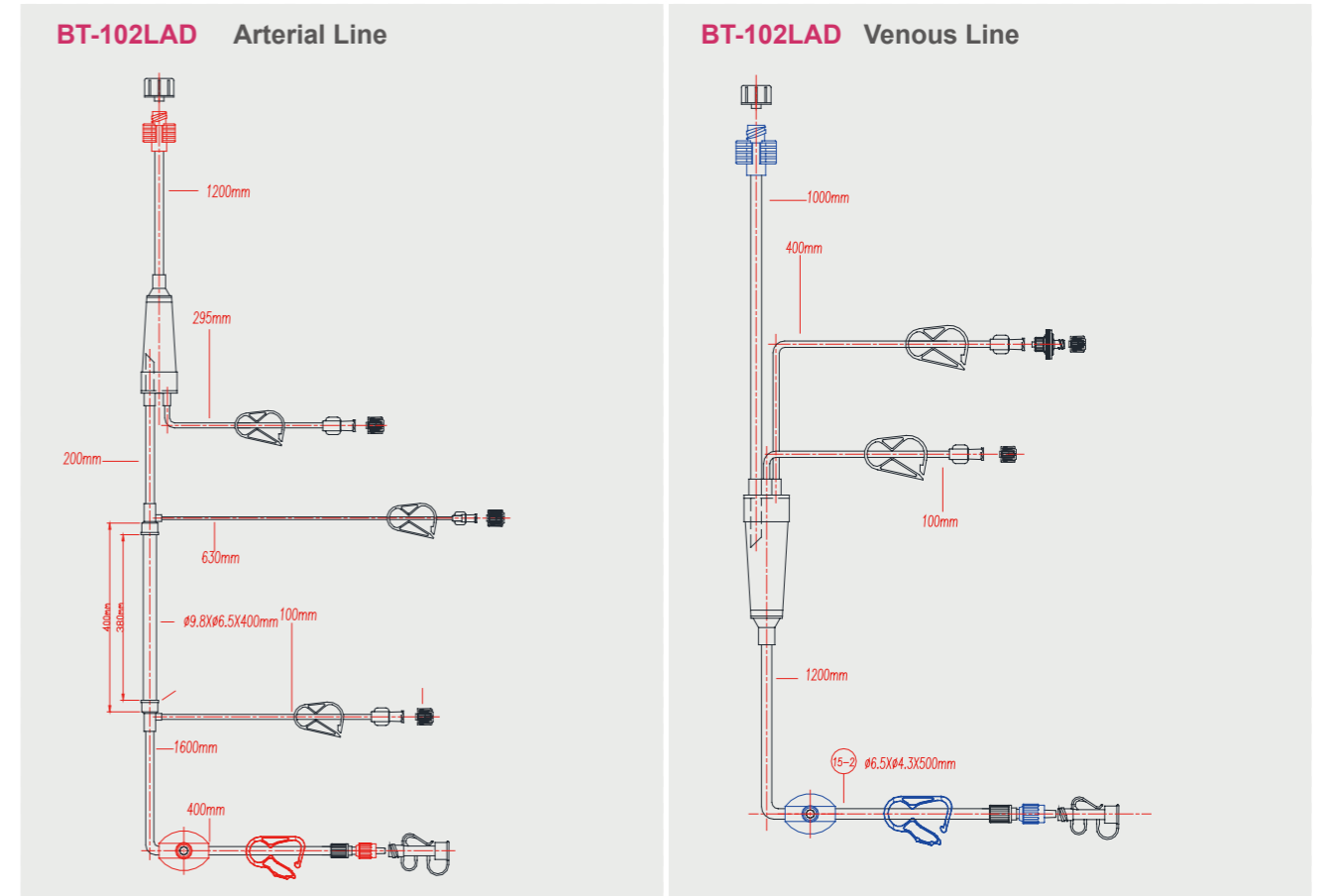
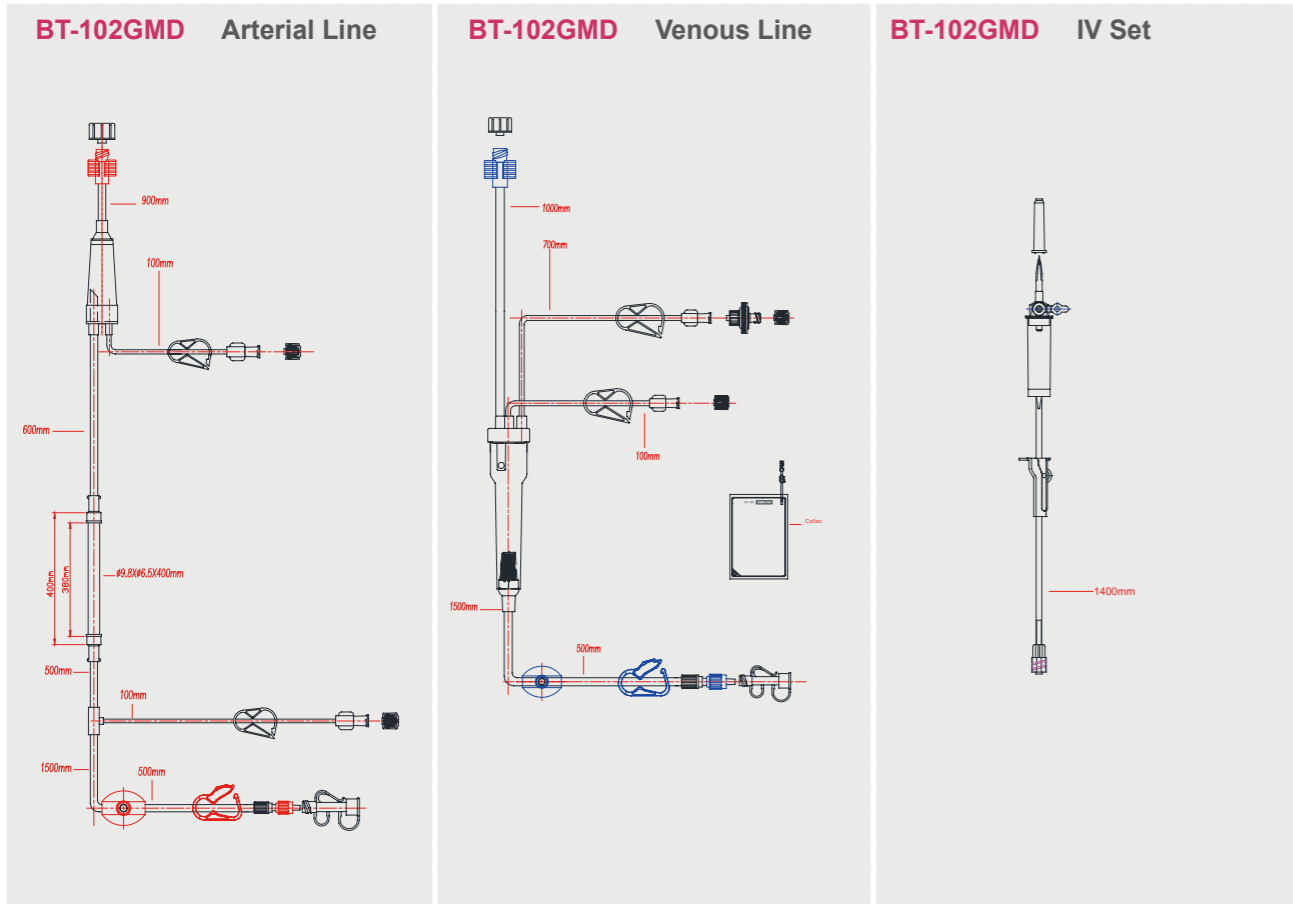


## BT-106 Series

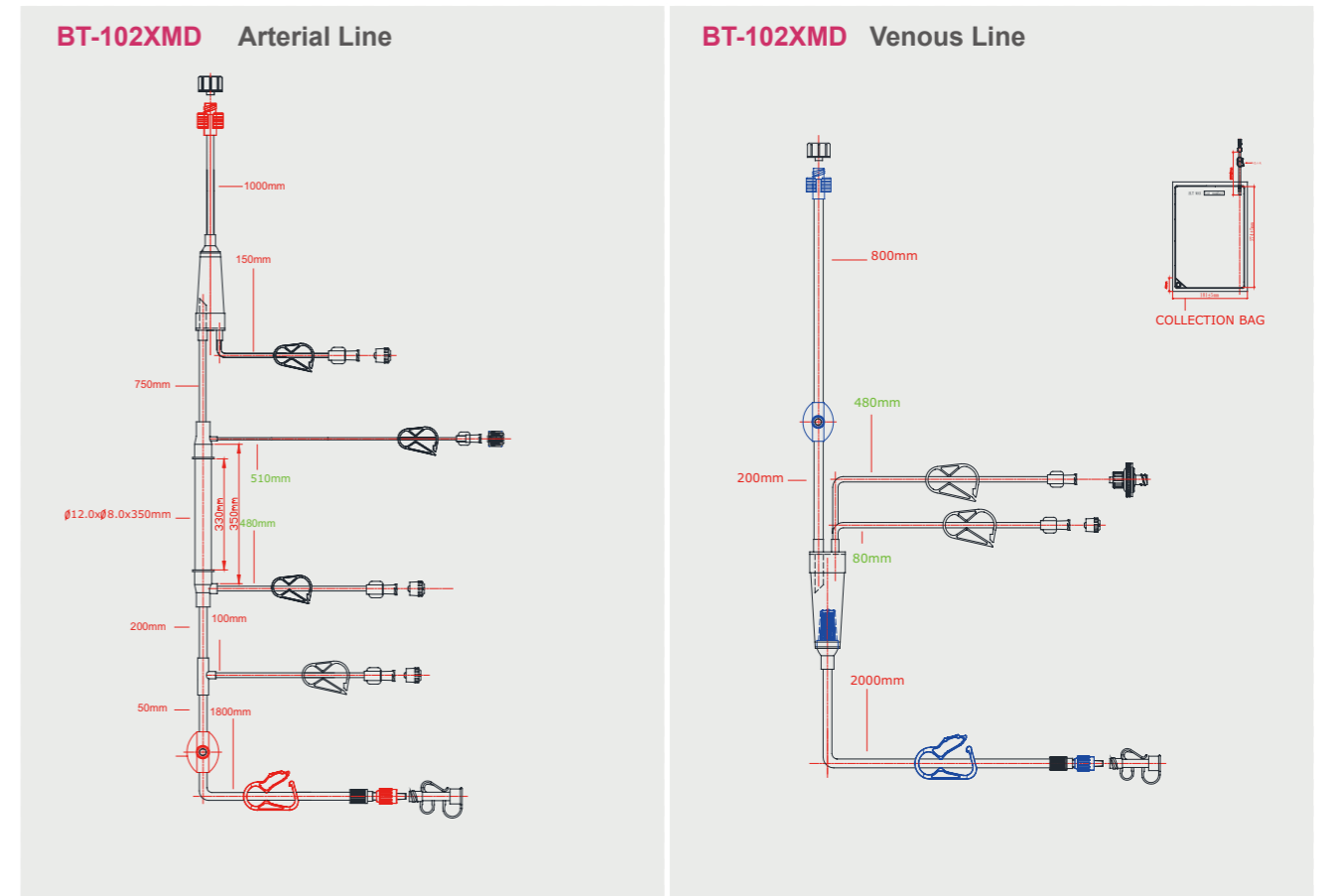
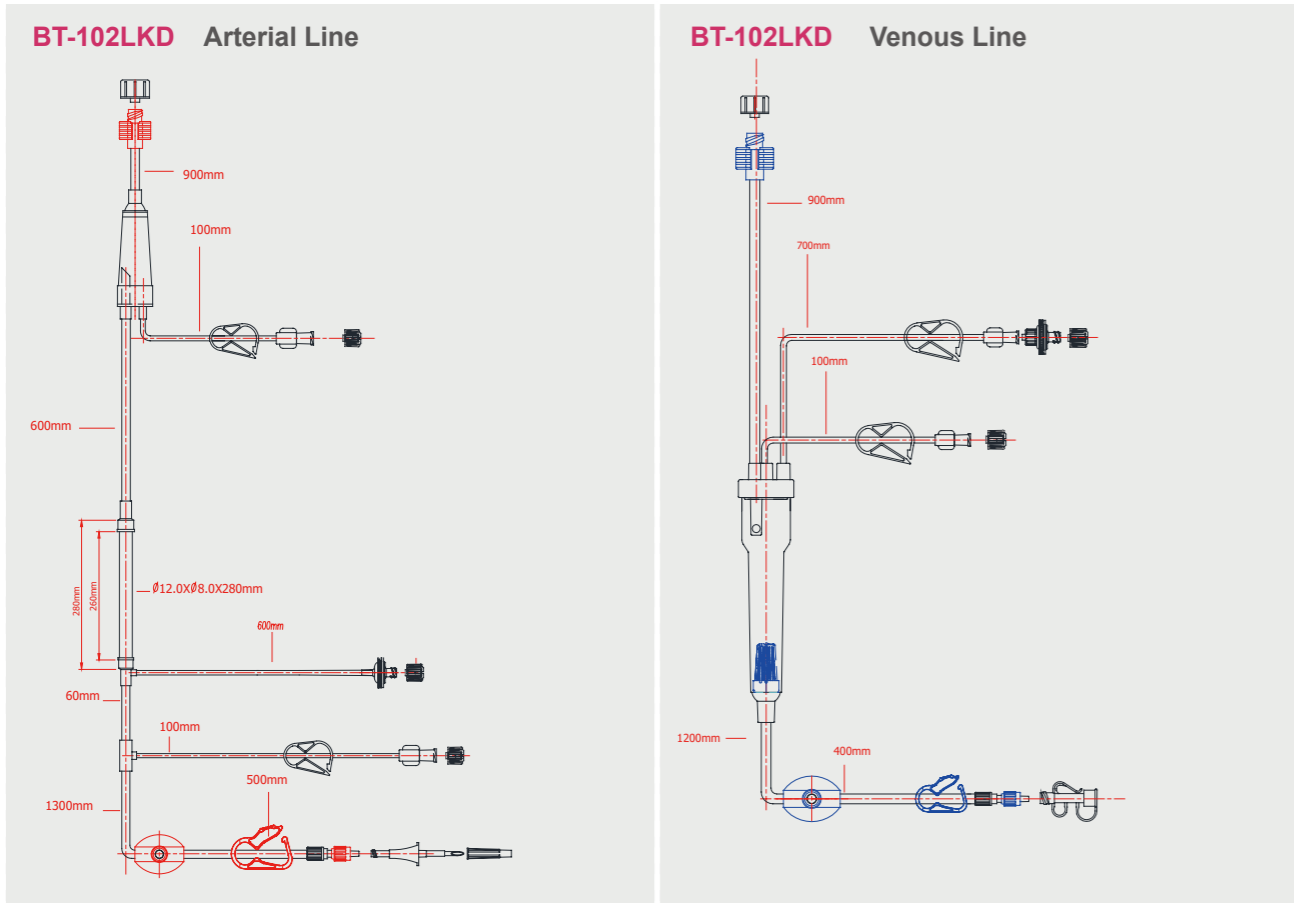
MODULE NO.	DESCRIPTION
BT-106GAD	with 9.8mm (OD) pump tubing, with IV SET, with TP, without collection bag, blood pathway volume: 125ml +/-25
BT-106GAD1	with 9.8mm (OD) pump tubing, with IV SET, with TP, without collection bag, blood pathway volume: 125ml +/-25, twice filter
BT-106LD	with 9.8mm (OD) pump tubing, without priming set, without TP, without collection bag, blood pathway volume: 125ml +/-25
BT-106LD2	with 9.8mm (OD) pump tubing, without priming set, without TP, without collection bag, blood pathway volume: 125ml +/-25, patient connector with wall
BT-106LD4	with 9.8mm (OD) pump tubing, without priming set, without TP, without collection bag, blood pathway volume: 125ml +/-25, twice filter
BT-106LKD	with 9.8mm (OD) pump tubing, without priming set, with TP, without collection bag, blood pathway volume: 175ml +/-25
BT-106WKD	with 12mm (OD) pump tubing, without priming set, with TP, without collection bag, blood pathway volume: 175ml +/-25
BT-106WKD1	with 12mm (OD) pump tubing, without priming set, with TP, without collection bag, blood pathway volume: 175ml +/-25, pump tube 420mm
BT-106WMD	with 12mm (OD) pump tubing, without priming set, with TP, with collection bag, blood pathway volume: 175ml +/-25
BT-106XMD	with 12mm (OD) pump tubing, with IV SET, with TP, with collection bag, blood pathway volume: 175ml +/-25
BT-106XMD1	with 12mm (OD) pump tubing, with IV SET, with TP, with collection bag, blood pathway volume: 175ml +/-25, pump tube 420mm
BT-106ZKD	with 12mm (OD) pump tubing, with spike, with TP, without collection bag, blood pathway volume: 175ml +/-25
BT-106ZKD1	with 12mm (OD) pump tubing, with spike, with TP, without collection bag, blood pathway volume: 175ml +/-25, with another spike
BT-106ZMD	with 12mm (OD) pump tubing, with spike, with TP, with collection bag, blood pathway volume: 175ml +/-25
BT-106ZMD3	with 12mm (OD) pump tubing, with spike, with TP, with collection bag, blood pathway volume: 175ml +/-25, twice injection site

## BT-102 Series

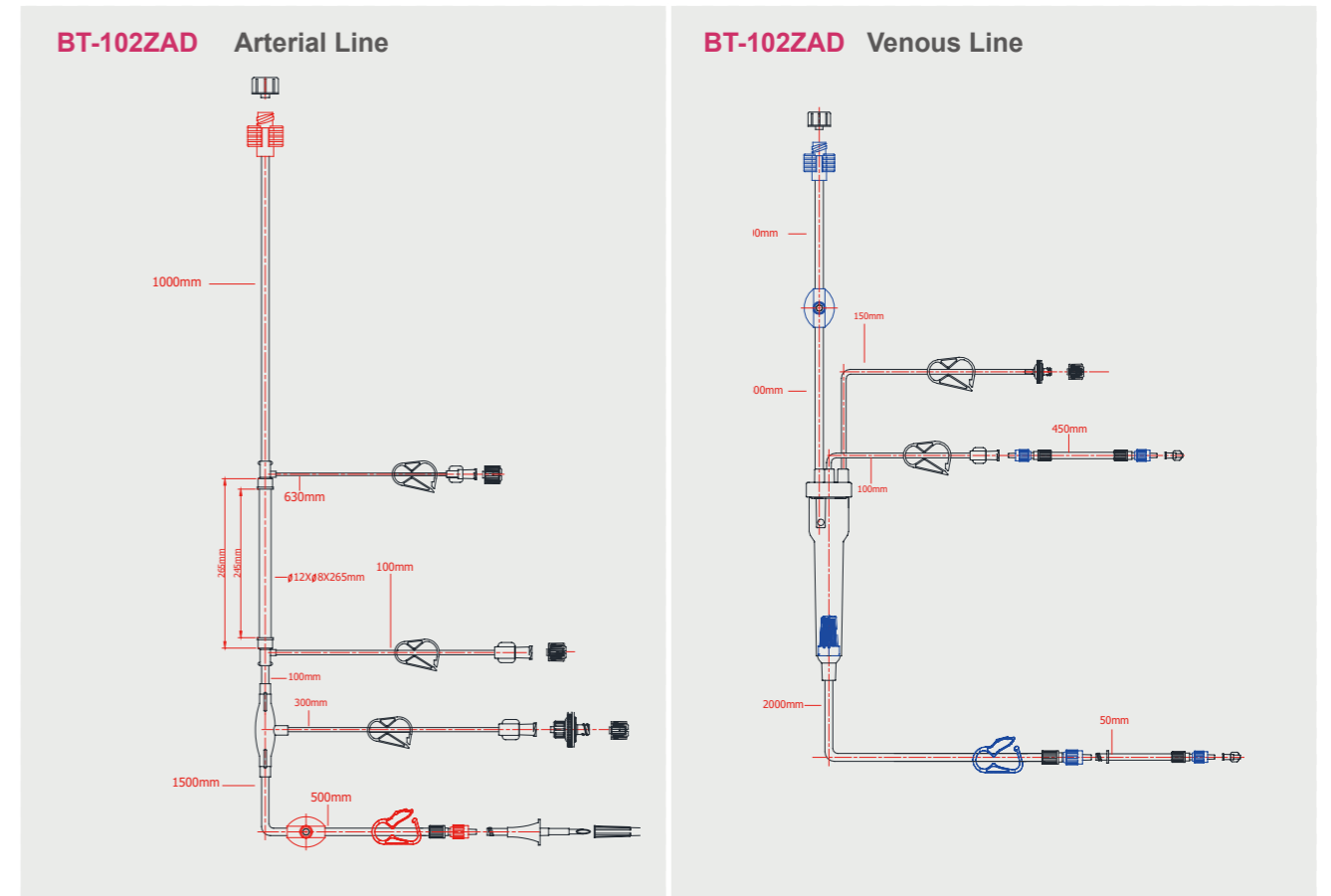
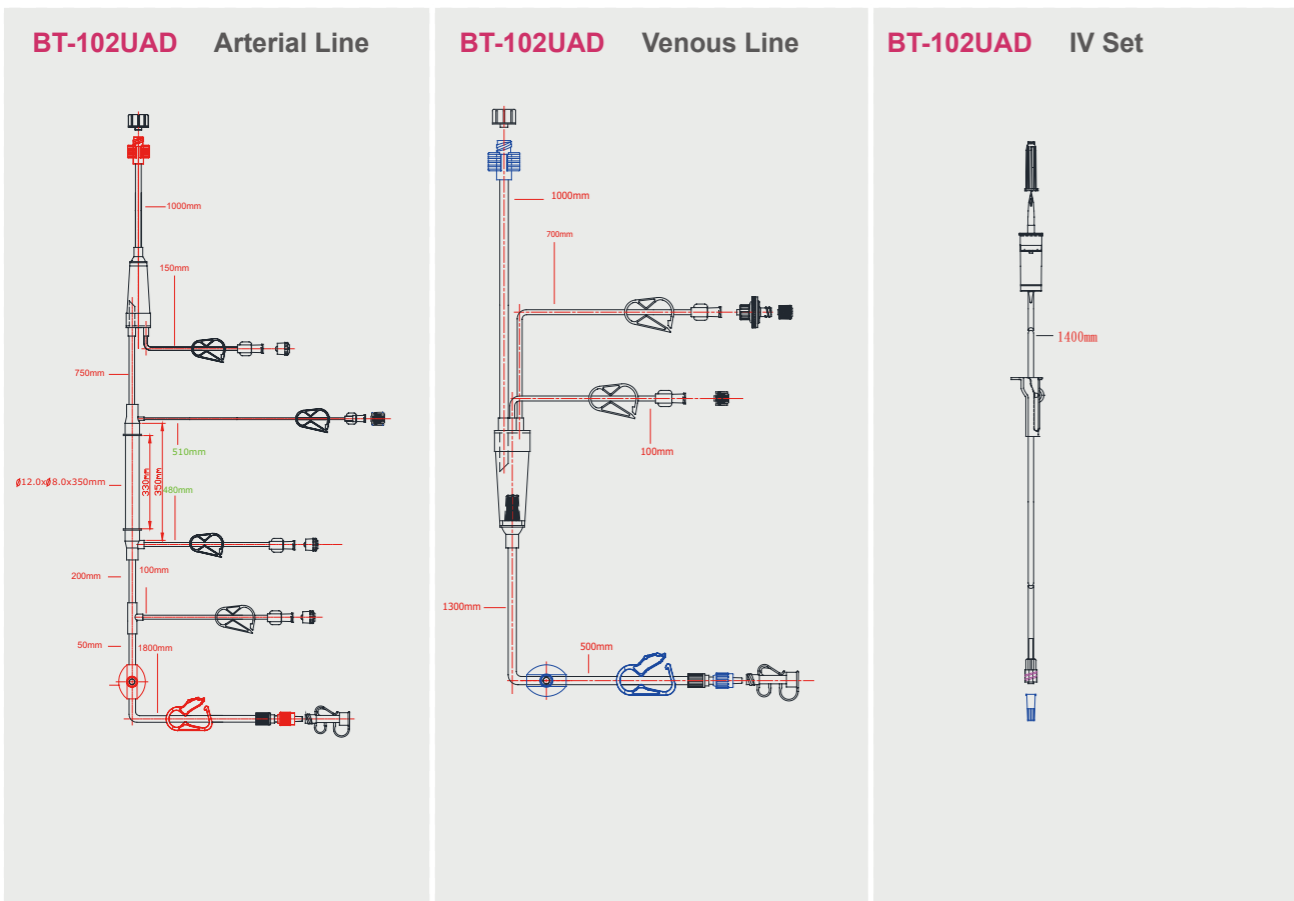
MODULE NO.	DESCRIPTION
BT-102GMD	with 9.8mm (OD) pump tubing, with IV SET, with TP, with collection bag, blood pathway volume: 175ml +/-25
BT-102GMD1	with 9.8mm (OD) pump tubing, with IV SET, with TP, with collection bag, blood pathway volume: 175ml +/-25, venous chamber 30mm
BT-102LAD	with 9.8mm (OD) pump tubing, without priming set, with TP, without collection bag, blood pathway volume: 125ml +/-25
BT-102LD	with 9.8mm (OD) pump tubing, without priming set, without TP, without collection bag, blood pathway volume: 125ml +/-25
BT-102LKD	with 9.8mm (OD) pump tubing, without priming set, with TP, without collection bag, blood pathway volume: 175ml +/-25
BT-102UAD	with 12mm pump tubing, with spike, with IV SET, with TP, without collection bag, blood pathway volume: 125ml +/-25
BT-102XMD	with 12mm (OD) pump tubing, with IV SET, with TP, with collection bag, blood pathway volume: 175ml +/-25
BT-102ZAD	with 12mm (OD) pump tubing, with spike, with TP, without collection bag, blood pathway volume: 125ml +/-25
BT-102ZBD	with 12mm (OD) pump tubing, with spike, with TP, with collection bag, blood pathway volume: 125ml +/-25
BT-102ZMD	with 12mm (OD) pump tubing, with spike, with TP, with collection bag, blood pathway volume: 175ml +/-25



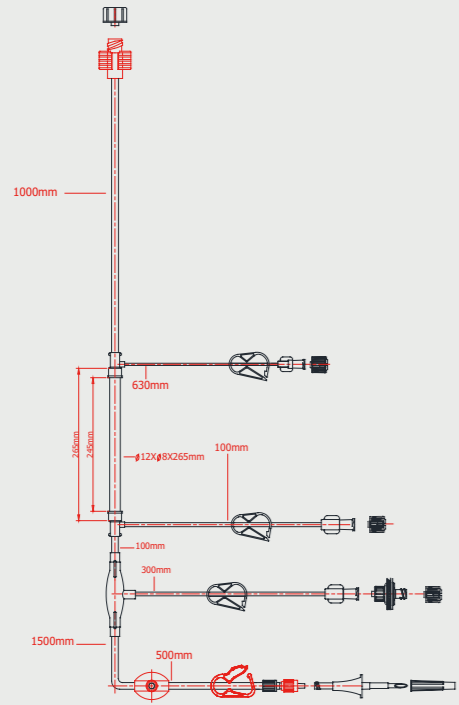
BT-102 SERIES



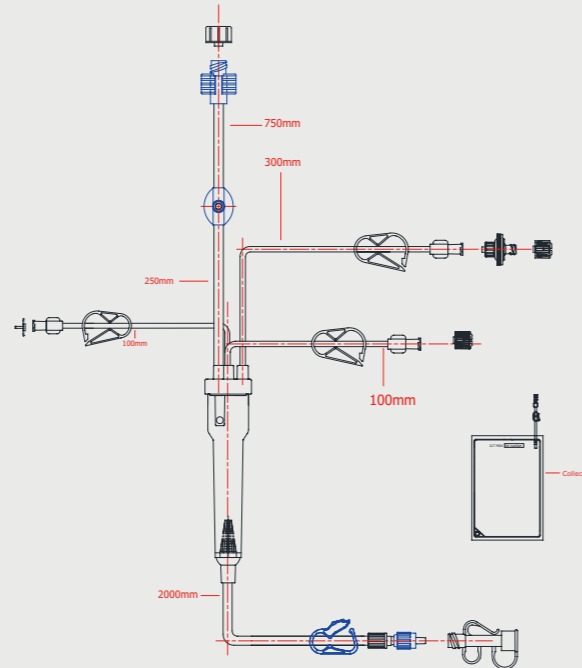
BT-102 SERIES



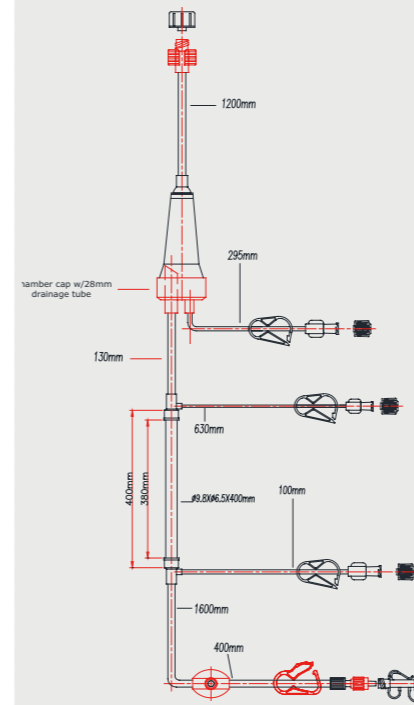
**BT-102ZBD Arterial Line**



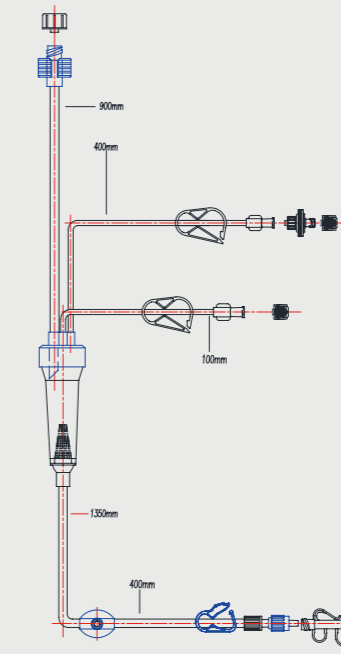
**BT-102ZBD Venous Line**



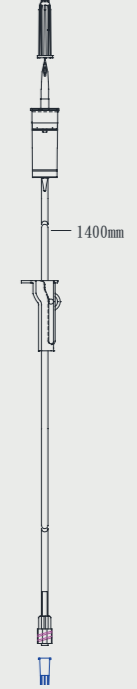
**BT-106GAD Arterial Line**



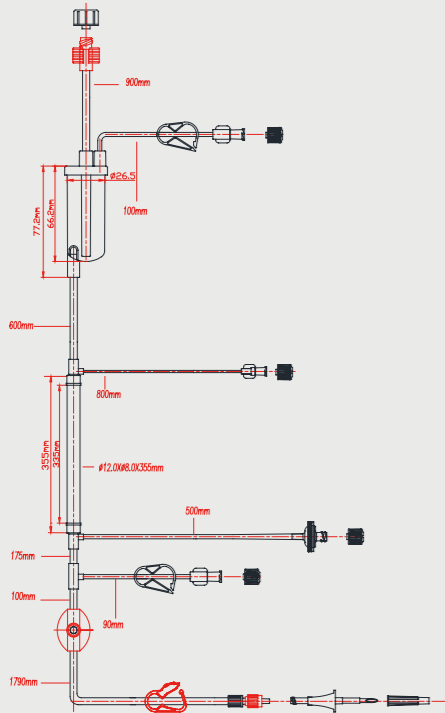
**BT-106GAD Venous Line**



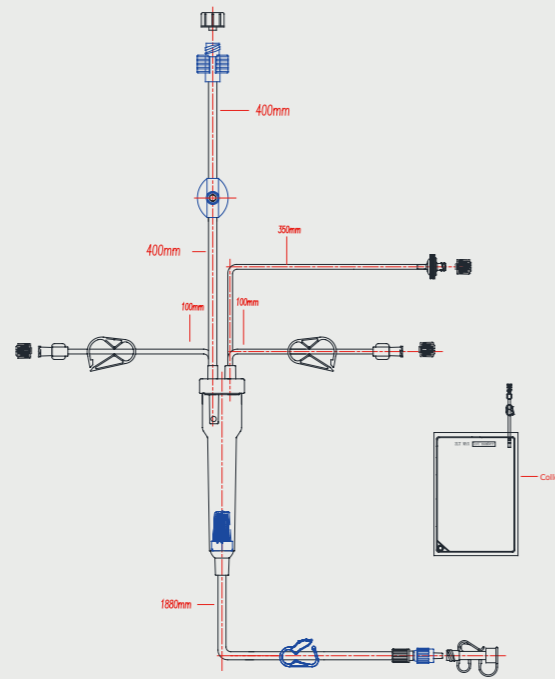
**BT-106GAD IV Set**



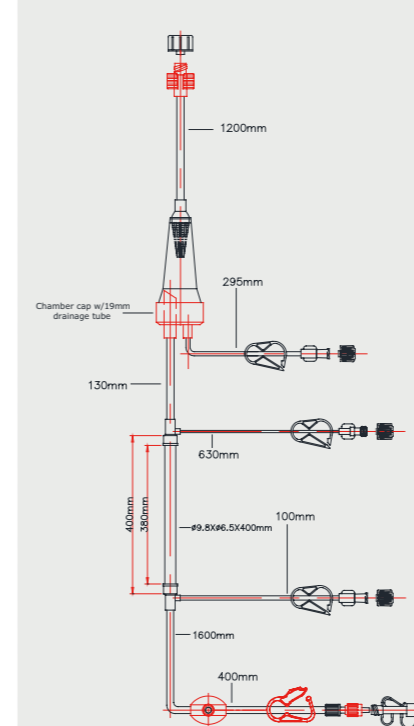
**BT-102ZMD Arterial Line**



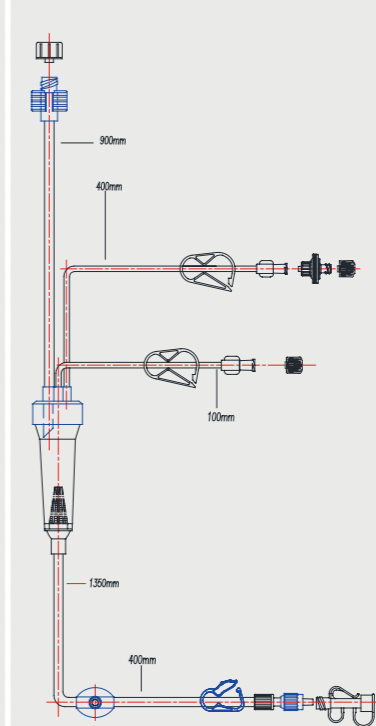
**BT-102ZMD Venous Line**



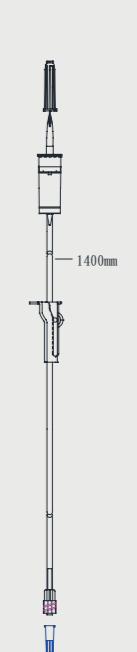
**BT-106GAD1 Arterial Line**



**BT-106GAD1 Venous Line**

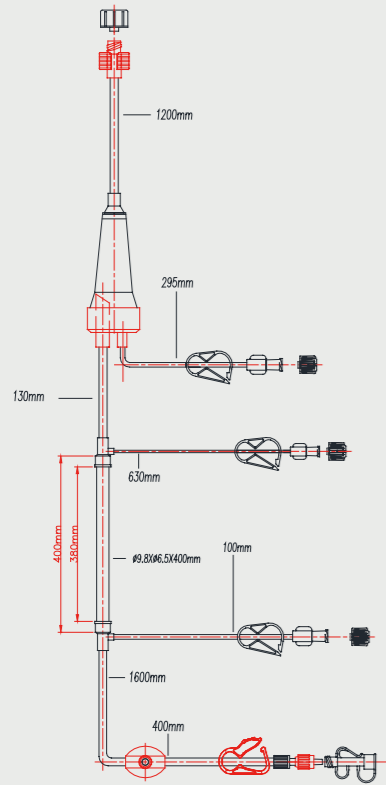


**BT-106GAD1 IV Set**

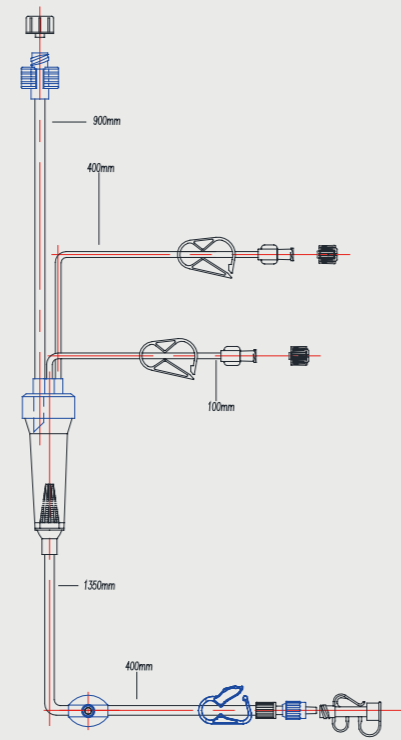


BT-102/BT-106 SERIES

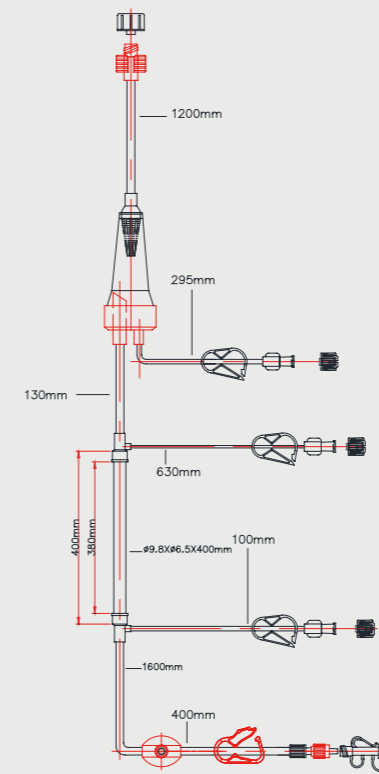
**BT-106LD Arterial Line**



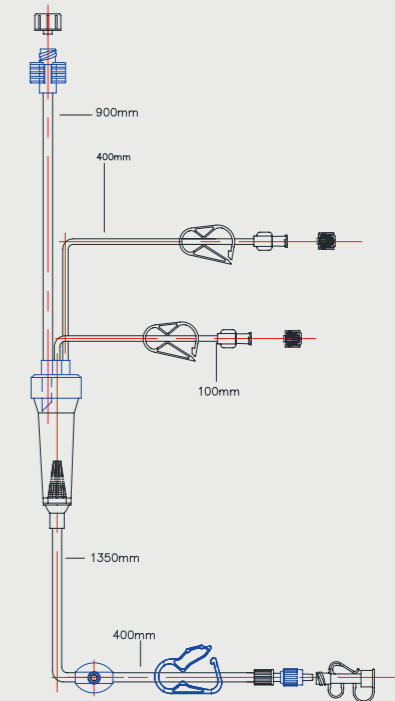
**BT-106LD Venous Line**



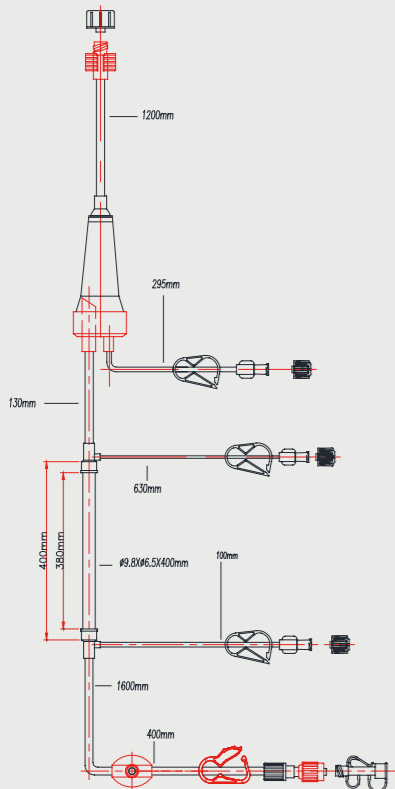
**BT-106LD4 Arterial Line**



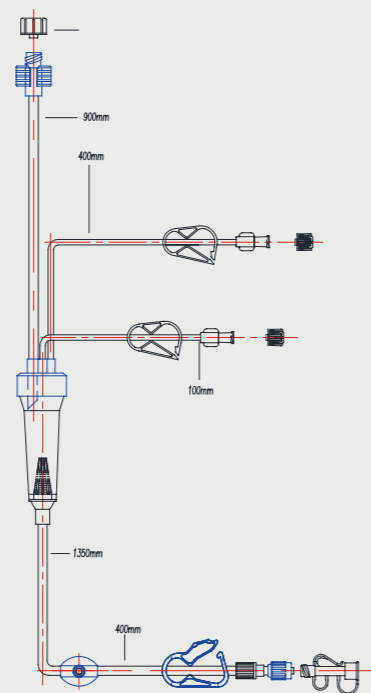
**BT-106LD4 Venous Line**



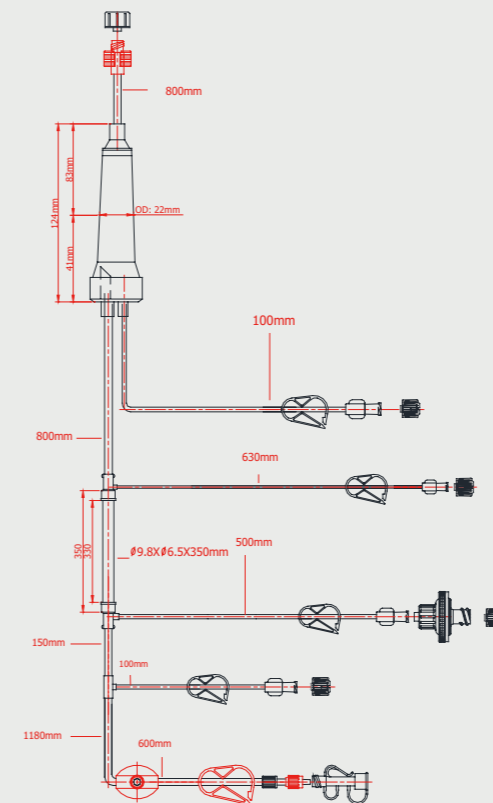
**BT-106LD2 Arterial Line**



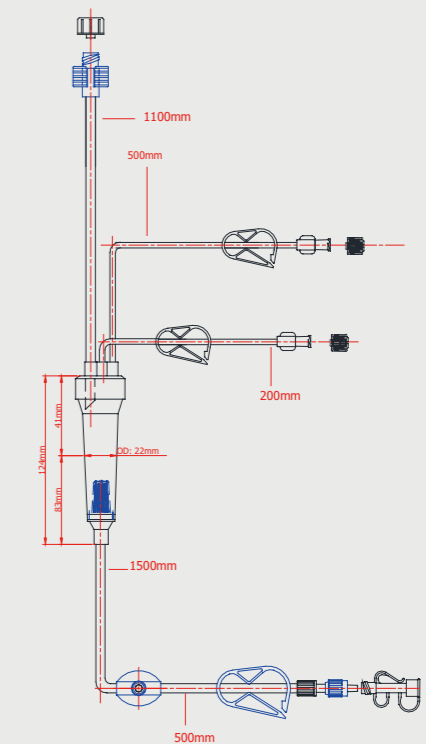
**BT-106LD2 Venous Line**



**BT-106LKD Arterial Line**

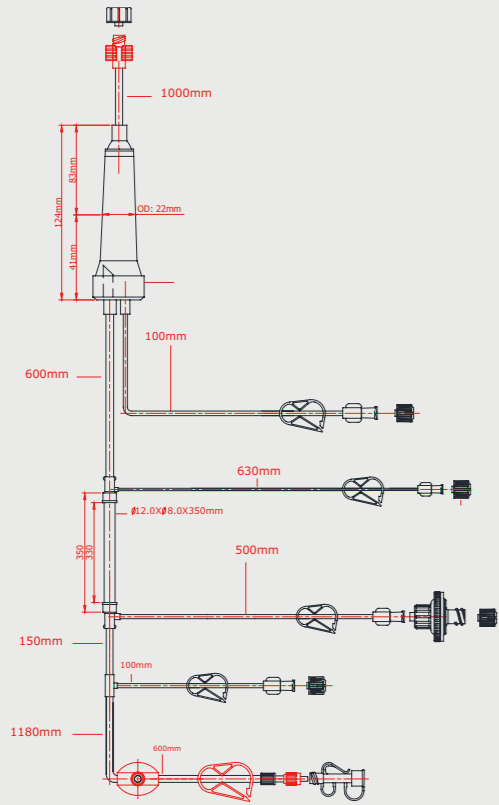


**BT-106LKD Venous Line**

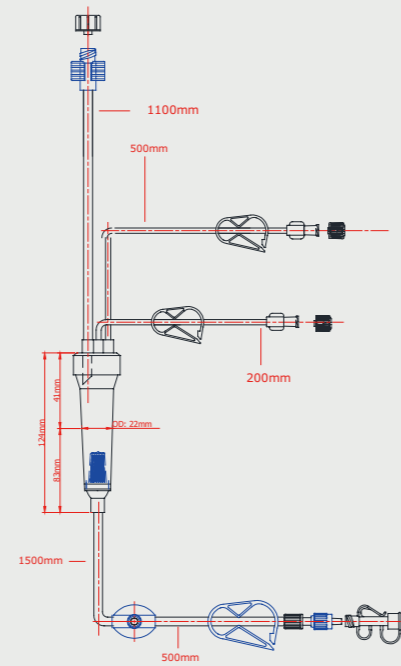


BT-106 SERIES

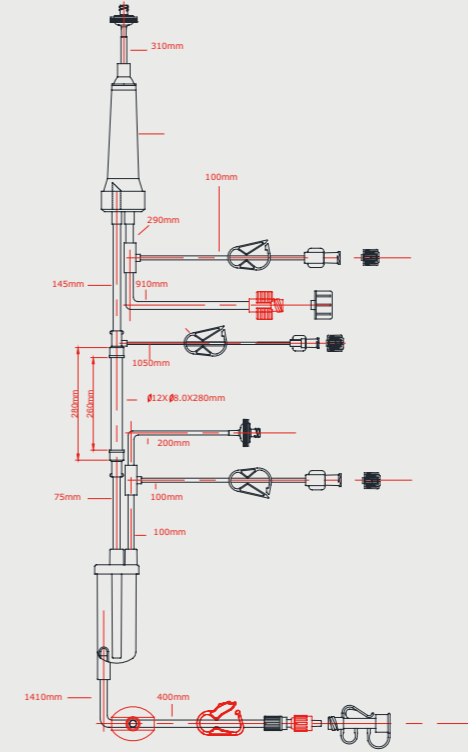
**BT-106WKD Arterial Line**



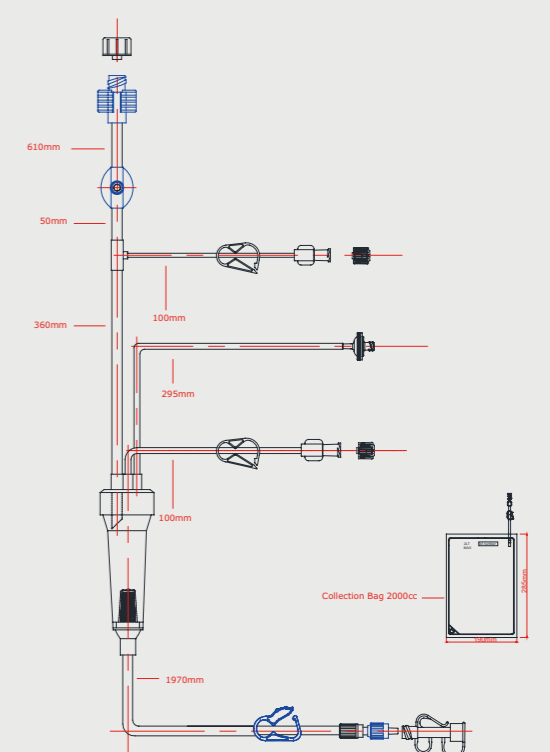
**BT-106WKD Venous Line**



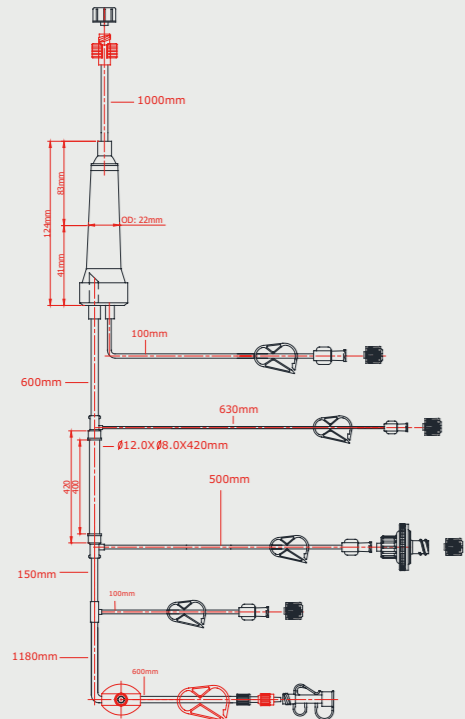
**BT-106WMD Arterial Line**



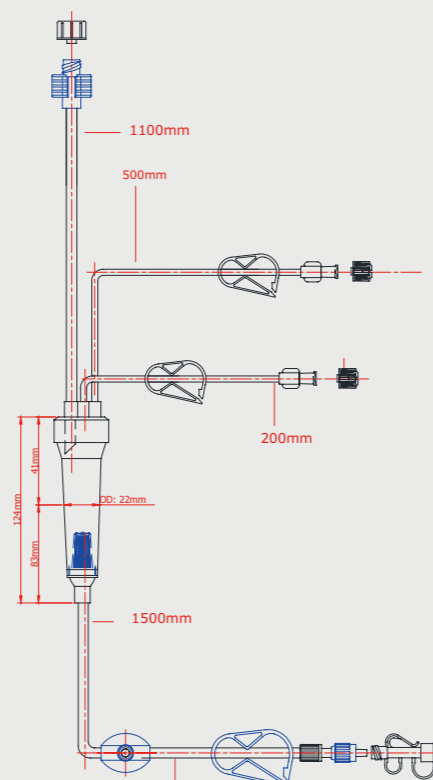
**BT-106WMD Venous Line**



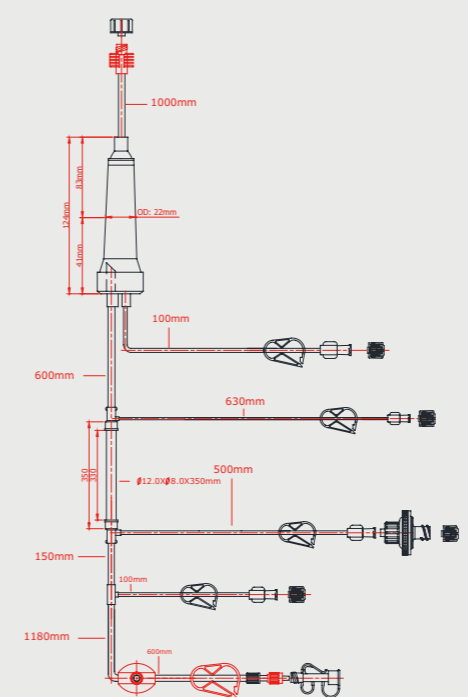
**BT-106WKD1 Arterial Line**



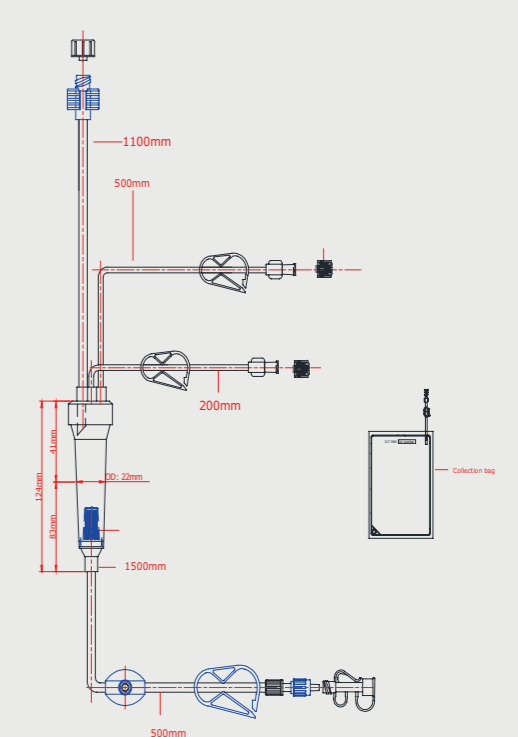
**BT-106WKD1 Venous Line**



**BT-106XMD Arterial Line**



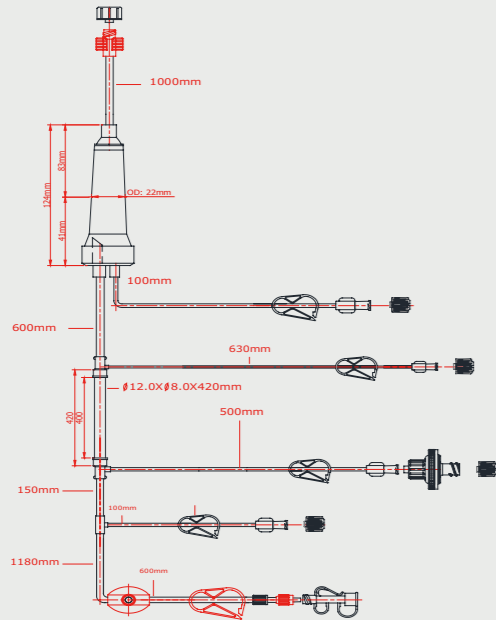
**BT-106XMD Venous Line**



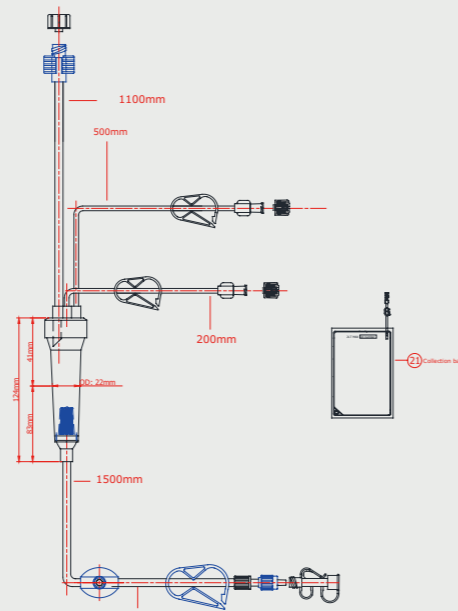
BT-106 SERIES



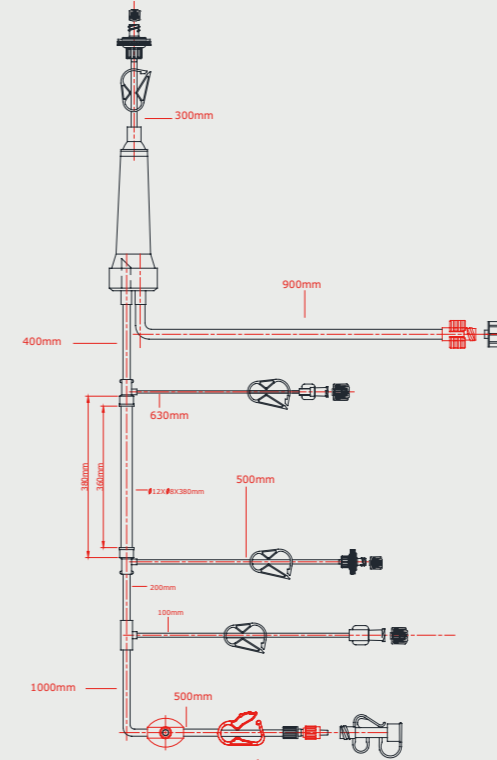
**BT-106XMD1 Arterial Line**



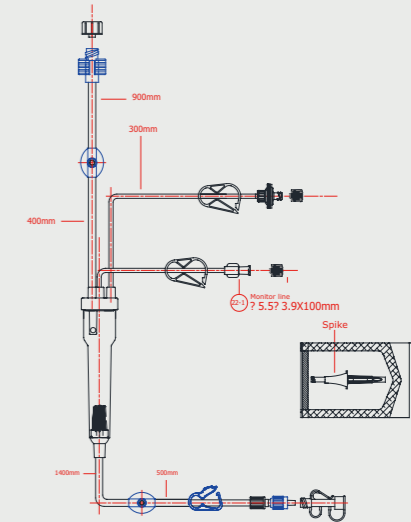
**BT-106XMD1 Venous Line**



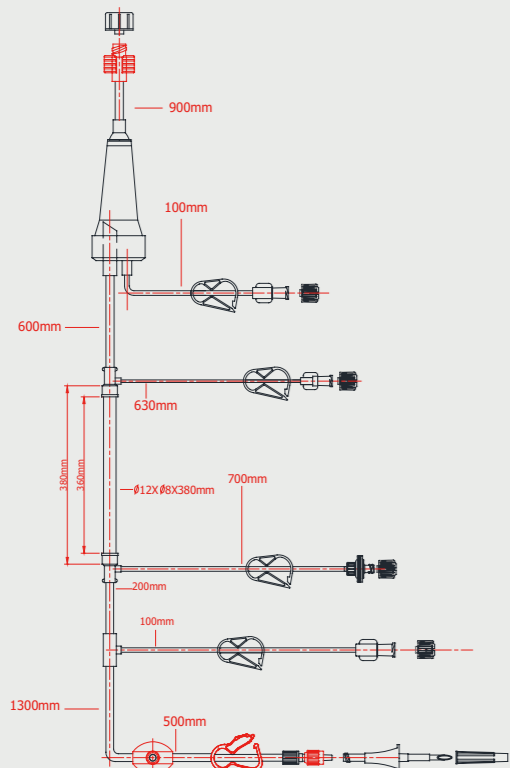
**BT-106ZKD1 Arterial Line**



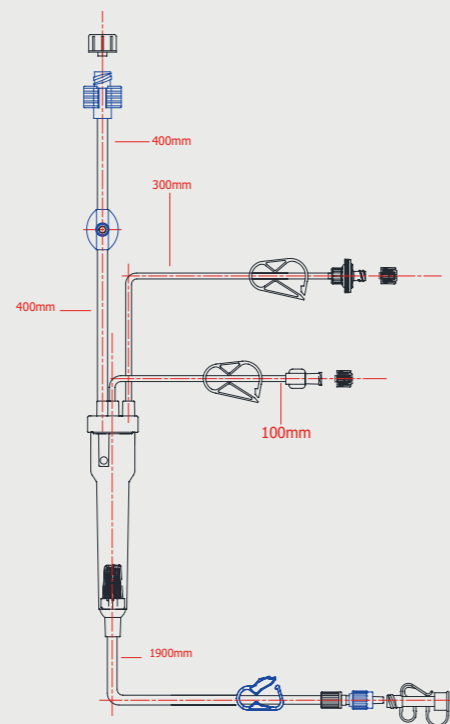
**BT-106ZKD1 Venous Line**



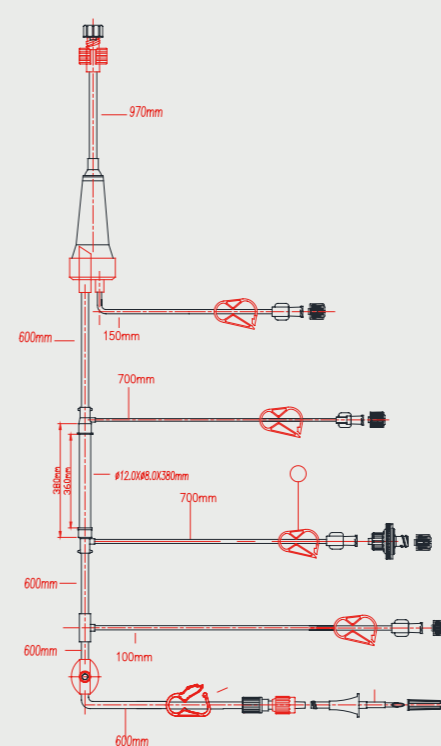
**BT-106ZKD Arterial Line**



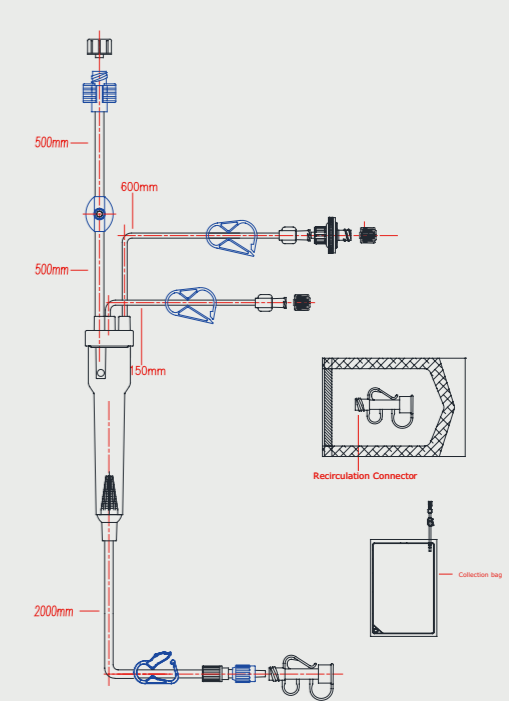
**BT-106ZKD Venous Line**



**BT-106ZMD Arterial Line**

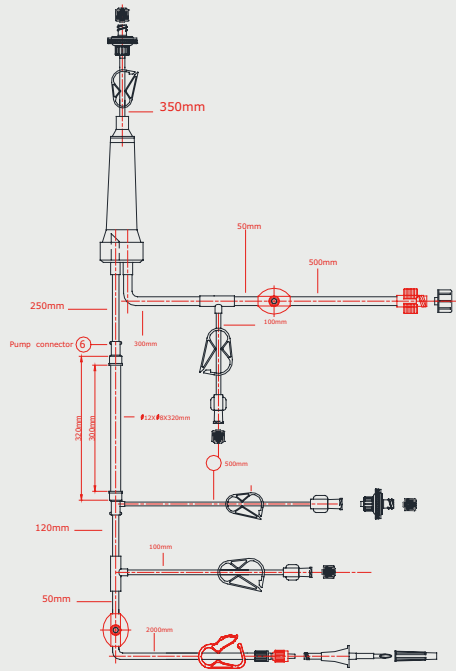


**BT-106ZMD Venous Line**



BT-106 SERIES

## BT-106ZMD3 Arterial Line



## BT-106ZMD3 Venous Line

